

ELIZABETH

DESIGNER COLLECTION

H | S

AVAILABLE SIZES

- 72.40.24

WATER CAPACITY

- 91 Gallons

WEIGHT

- 150 Pounds - Tub Only
- 170 Pounds - Thermal Air

MATERIAL

- Acrylic and Fiberglass

STANDARD COLORS

- White, Biscuit, Bone

PREMIUM COLORS

- Black, Ice Gray, Sandbar

FINISH

- Matte, Polished, Two-Tone

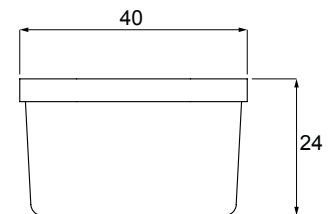
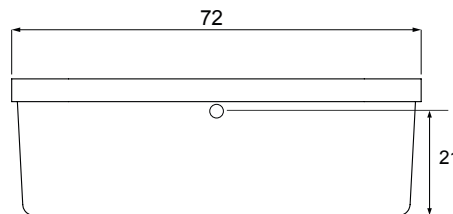
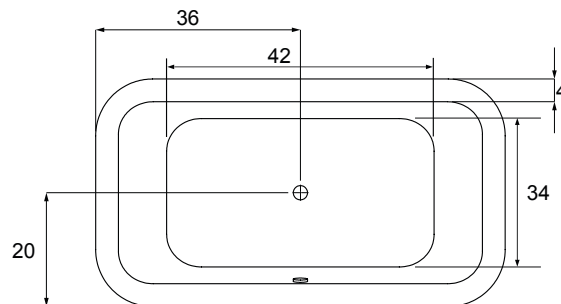
WARRANTY

- 99/9 year



OPTIONS

- Thermal Air
 - 1 -15 AMP dedicated GFCI
 - Blower must be remotely located
- Extra High Density Fiberglass
- Chromatherapy- LED Lighting System
- Grab Bars
 - Standard or Universal
- Hydro Blanket
- Hydro Coat
- Island Tub Drain
- Remote Control
- Tower



HYDRO SYSTEMS
Family Owned And Operated Since 1978

29132 Avenue Paine, Valencia, CA, 91355
661.775.0686 | hydrosystem.com



MADE IN AMERICA

* Indicates options that are shown (listed in order from top to bottom/ left to right)