

## PVC SYSTEMS INCLUDE:

- 6 Fully directional adjustable flow PVC jets
- Anti-vortex safety suction
- Color matched system trim
- HydroOzone ozone sanitation system
- Rigid PVC piping
- Self draining pump and system
- Soft Touch electronic on/off control with 30-minute integral times
- 2.25 HP single speed pump
- Cable waste and overflow



Standard Grab Bar



Linear Integral Waste and Overflow



Chromatherapy-LED Lighting System

## OPTIONS: [\(MORE INFORMATION AVAILABLE ON OUR WEBSITE\)](#)

- Additional Jets
  - Directional or Swirling
- Back Masseur Systems
- Chromatherapy-LED Lighting System
- Custom Jet and Pump Location
- Electronic Low Water Protection
- Extra High Density
- Grab Bars
  - Standard or Universal
- Hydro Blanket
- Hydro Coat
- Hydro Express Quick Ship
- Hydro Fusion
- HydroOzone UV System
- In-line Heater
- Integral Waste and Overflow
  - Circular or Linear
- Island Tub Drain
- Jumbo Jets
  - Directional or Rotating
- Micro Therapy Jets
- Neck Masseur Pillow
- Padded Headrest Pillow

## STANDARD ELECTRICAL REQUIREMENTS:

- Whirlpool System | One 20 Amp Dedicated Circuit
- Thermal Air System | One 15 Amp Dedicated Circuit
- Combo System | One 15 Amp Dedicated Circuit and One 20 Amp Dedicated Circuit
- Indulge System | One 15 Amp Dedicated Circuit
- Hydro Fusion (600 or 1500 Watts) | One 15 Amp Dedicated Circuit
- In-line Heater (600 or 1500 Watts) | One 15 Amp Dedicated Circuit

*\*All electrical components come standard at 115 volts\**

*\*All electrical circuits must be GFCI protected\**

# JACQUELINE

DESIGNER COLLECTION

# H | S

## As SHOWN:

Acrylic Tub Only

## FEATURES SHOWN:

- Integral Waste & Overflow

## ALSO AVAILABLE:

- Whirlpool
- Thermal Air
- Combo

## SIZE:

66.40.24

## Back Slope:

40°

## WATER CAPACITY:

80 Gallons

## WEIGHT:

90 - 130 pounds depending on system

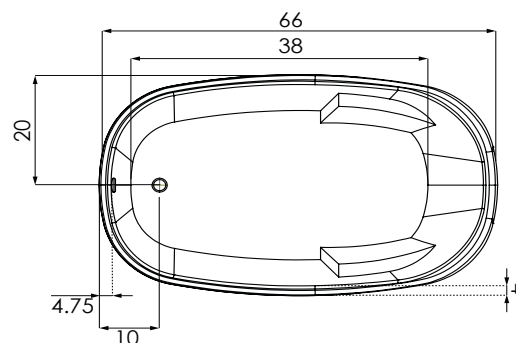
## MODEL 6640 DIMENSIONS:

- (L)ENGTH - 66"
- (W)IDTH - 40"
- (H)EIGHT FINISH - 24"

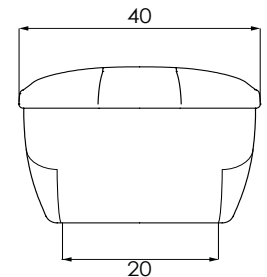
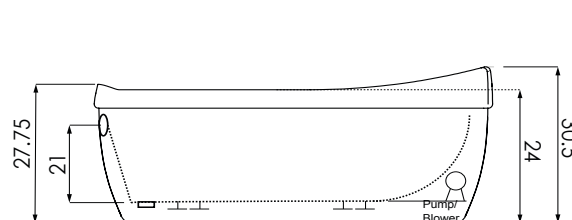


## ACRYLIC TUB

- Acrylic models finished in 1/8" thick layer of deep lustrous acrylic
- Extra thick reinforced fiberglass
- Integral E-Z level platform facilitates installation



(w)idth of armrest - 3"  
(h)eight of armrest - 17"



## CODES AND COMPLIANCES

Massachusetts code File no: P1-0614-491



**HYDRO SYSTEMS**  
Family Owned And Operated Since 1978

29132 Avenue Paine. Valencia, CA, 91355  
661.775.0686 | hydrosystem.com

All specifications and options subject to change without notice please contact a Hydro Systems representative for more information. Certain options or altering the pump/blower location may cause the pump/blower to extend beyond the tub decking. For cutout dimensions wait for unit to arrive. All specifications subject to change without notice.