

DESIGNER COLLECTION

RINCON

5959

SIZE

59" L x 59"W x 21"D

WATER CAPACITY

65 Gallons

WEIGHT

110-150 Pounds

INSTALLATION

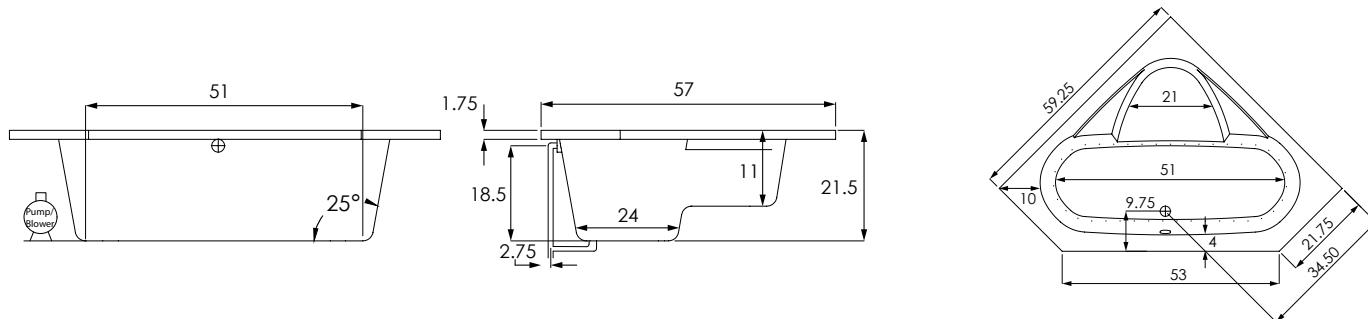
Drop-in

BACK SLOPE

25°

MATERIAL

Acrylic



| MODEL | |
|---|-------------------------------|
| RIN5959ATO | Tub Only |
| RIN5959AWP | Whirlpool (6) |
| RIN5959ATA | Thermal Air |
| RIN5959ACO | Combo System |
| COLORS | |
| Standard | White Biscuit Bone |
| Premium Colors | Black Sterling Silver |
| FINISH | |
| Matte Finish | MAT (must specify if desired) |
| Polished Finish | STANDARD |
| BACK MASSEUSE SYSTEMS | |
| System I - Manual Control (WP/CO) | BAC.MA1-XXX |
| System II - Electronic Control (WP/CO) | BAC.MA2-XXX |
| System III - Electronic Control (TA) | BAC.MA3-XXX |
| COLD PLUNGE order form | |
| | CLD.PL |
| EXPORT CRATE | |
| | FRT.EXPCRT |
| EXTRA HIGH DENSITY | |
| | HI.DEN |
| GRAB BARS (Pair) Refer to price book for all available finishes | |
| Standard Grab Bars | GRA.BAR-XXX |
| Universal Grab Bars | UGB.BAR-XXX |

| MODEL | |
|---|-------------------------|
| HEATED BACKREST | INCLUDED ON THERMAL AIR |
| HYDRO BLANKET 2 Zones 3 Zones 4 Zones 5 Zones (W/ 2 Controls) | BLA.HEA-X |
| HYDRO COAT | HYC.COA |
| HYDRO EXPRESS | 69.104-HYD.EXP |
| HYDRO FILL (must specify location) | HYD.FIL |
| HYDRO FUSION | |
| Hydro Fusion (Tub Only) | 29.102 |
| Hydro Fusion w/ Ozone (Tub Only) | 29.103 |
| Hydro Fusion (TA, Whirlpool, Combo) | 29.107 |
| HYDRO INDULGE | HYD.IND |
| HYDRO OZONE UV COMBO SYSTEM | OZUV.XXX |
| Whirlpool and Combo Systems only | 110 V OZUV.110 |
| INLINE HEATER Whirlpool and Combo Systems only | |
| No dedicated GFI required for 6 amp models | |
| 12.50 Amps 1.5 KW - 110V | 27.100 |
| 6.00 Amps 0.75 KW | 27.103 |



Headquarters
29132 Avenue Paine
Valencia, CA 91355

Manufacturing Facility
385 Highway 155 South
McDonough, GA 30253

Technical Support
support@hydrosystem.com

Orders Department
orders@hydrosystem.com

General Information
info@hydrosystem.com

Phone: 661-775-0686

Website: hydrosystem.com

CODES AND COMPLIANCES

Massachusetts code File no: P1-0614-491



All specifications and options subject to change without notice please contact a hydro systems representative for more information.

RINCON

5959

| DESCRIPTION | |
|---|-------------------------|
| JETS | |
| Installed per jet price for extra jets added to standard system price. All metallic finishes come with colored eyeball. | |
| Additional Standard or Swirling Jet | JET.STD-XX JET.SWI-XX |
| Color Trim Group 1 - PC or PB Group 2 - AB, BB, SB, BC, SC, PN, SN, BN Group 3 - PG, BG, SG | |
| Swirling Jet Upgrade (Per jet substitution price added to standard system price) | JUP.SWI-XX |
| Micro Therapy Jet | MTJ.XXX |
| BIS, BLA, BON, SIL, WHI | |
| Custom Jet Locations (Must include drawing of locations) | 69.116-CUS.JET |
| JET PLATING | |
| Clear / Brass / Chrome. Trim kit covers jet escutcheons, suction, and electronic softtouch pad. Per jet substitution price added to standard system price. All metallic finishes come with colored eyeball. | |
| Group 1 (PC or PB) | |
| 6 Jets | PLA.06-XX |
| 8 Jets | PLA.08-XX |
| 10 Jets | PLA.10-XX |
| Group 2 (AB, BB, SB, BC, SC, PN, SN, BN) | |
| 6 Jets | PLA.06-XX |
| 8 Jets | PLA.08-XX |
| 10 Jets | PLA.10-XX |
| Group 2 (PG, BG) | |
| 6 Jets | PLA.06-XX |
| 8 Jets | PLA.08-XX |
| 10 Jets | PLA.10-XX |
| LED TEMP. READOUT KEYPAD | LED.UPG |
| Upgrade only, must have a keypad controlled system to purchase. | |
| LIGHTING | LIG.LED |
| LED Bath Light Chromotherapy System | |
| LOW WATER PROTECTION | LOW.WAT-110 |
| Includes 30 minute timer (110V) | |
| MICROMOUNT | 69.140MCREDG |
| Micromount requires increase in framing height by approximately 1¼" | |
| NECK MASSEUSE JET PILLOW | PIL.NEC-XX |
| Available in black, bone and white. | |

| DESCRIPTION | |
|--|----------------|
| PADDED HEADREST PILLOW | 41.128 |
| Black only | |
| PUMPS | 69.116-CUS.PMP |
| Custom Pump Locations | |
| REMOTE CONTROL | REM.CON |
| Must must have system to purchase | |
| SKIRTS | SKI.COR |
| Corner Skirt | |
| Tile Flanges | FLA.MO-X |
| WASTE & OVERFLOW | WOV.XX |
| Cable W/O No Charge (WHI, BIS, PC, PB, PN, BC, BB, BN, SC, SB, SN, ORB, PE) | |
| Cable W/O - Gold Finish Upgrade (PG, BG) | |
| INTEGRAL W/O (Std. round) | IWO.XX |
| Waste and overflow manufactured as part of the bath. Comes standard as a round overflow cover. Drain will be a tip-toe style and drain outlet will be a direct drain. | |
| LINEAR INTEGRAL W/O | LWO-XXX |
| Waste and overflow manufactured as part of the bath. Drain will be a tip-toe style and drain outlet will be a direct drain. | |



Headquarters
29132 Avenue Paine
Valencia, CA 91355

Manufacturing Facility
385 Highway 155 South
McDonough, GA 30253

Technical Support
support@hydrosystem.com

Orders Department
orders@hydrosystem.com

General Information
info@hydrosystem.com

Phone: 661-775-0686

Website: hydrosystem.com

CODES AND COMPLIANCES

Massachusetts code File no: P1-0614-491



All specifications and options subject to change without notice please contact a hydro systems representative for more information.

RINCON

5959



STANDARD ACRYLIC COLORS



WHITE BISCUIT BONE

PREMIUM ACRYLIC COLORS



BLACK STERLING SILVER

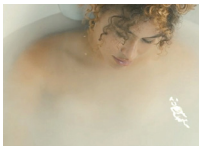
WELLNESS OPTIONS



Cold Plunge
Revitalizing cold hydrotherapy into a traditional tub



Thermal Air
Tiny bubbles into the bathwater and offers untold relaxing benefits, similar to Swedish massage



Hydro Indulge
A concentrated dose of oxygen-rich molecules cleanse and restore skin



Whirlpool Massaging Jets
Flexibility to customize jet location, quantity of jets and type of jet therapy



Back and Neck Masseuse
Utilizes six strategically located jets enabling a "shiatsu" type massage and direct to the neck with 3 pulse settings



Advanced UV system
Ozone and UV light helps to disinfect the water and keep it clean



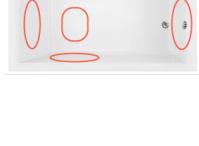
Chromotherapy
Digitally controlled, multicolored lighting feature LED lighting system



Hydro Fusion
Totally silent operation maintains ideal temperature without adding hot water constantly



Hydro Blanket
Radiant heat emanates through the acrylic tub surface. Choose up to 2-5 panels..



Drop In Cutout Install Dimensions

- (L)ength - 57"
- (W)idth - 57"
- Finished Height - 20¾"

OTHER OPTIONS

Additional options can be found on our website



Integral Waste and Overflow
Seamless built-in protection for bathtub (included)



Grab Bars
Adds functionality and enhanced styling. Affords a mounting solution in virtually any position on any tub.



Micromount
Reduces the standard edge profile of the tub to a nominal ½" for a sleek, modern look



Integral Tile Flange
Available on select non-oval tubs. Please specify which sides flange will need to be added to.



Skirt
Corner skirt available

Installation Tips:

- When adding integral linear drain p-trap location is now below waste
- Adding multiple systems/options may require equipment to stick out from tub deck or be installed remotely



HYDRO SYSTEMS



Headquarters
29132 Avenue Paine
Valencia, CA 91355

Manufacturing Facility
385 Highway 155 South
McDonough, GA 30253

Technical Support
support@hydrosystem.com

Orders Department
orders@hydrosystem.com

General Information
info@hydrosystem.com

Phone: 661-775-0686
Website: hydrosystem.com

CODES AND COMPLIANCES

Massachusetts code File no: P1-0614-491



All specifications and options subject to change without notice please contact a hydro systems representative for more information.