

ROCKWELL 6636

H | S

DESIGNER COLLECTION

AVAILABLE SIZES

- 66.36.21

WATER CAPACITY

- 80 Gallons

WEIGHT

- 140 Pounds - Tub Only
- 170 Pounds - Thermal Air

BACK SLOPE

- 22°

MATERIAL

- Acrylic and Fiberglass

STANDARD COLORS

- White, Biscuit, Bone

PREMIUM COLORS

- Black, Ice Gray

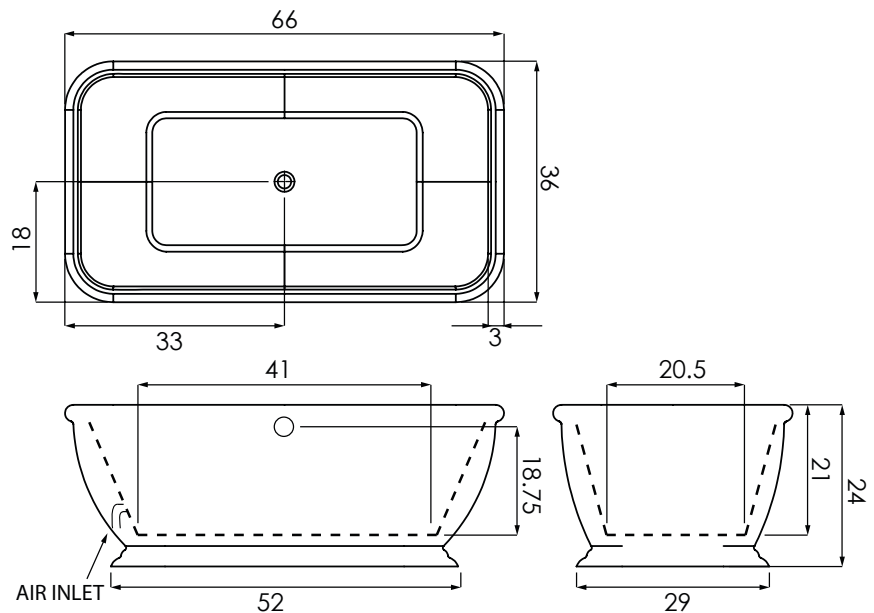
WARRANTY

- 99/9 year



OPTIONS: [\(MORE INFORMATION AVAILABLE ON OUR WEBSITE\)](#)

- Chromotherapy-LED Lighting System
- Extra High Density
- Grab Bars
 - Standard or Universal
- Hydro Blanket
- Hydro Coat
- Hydro Express Quick Ship
- Island Tub Drain
- Integral Waste and Overflow
 - Circular or Linear
- Molded Armrests
- Padded Headrest Pillow



CODES AND COMPLIANCES

Massachusetts code File no: P1-0614-491



HYDRO SYSTEMS
Family Owned And Operated Since 1978

29132 Avenue Paine, Valencia, CA, 91355
661.775.0686 | hydrosystem.com



MADE IN AMERICA

All specifications and options subject to change without notice please contact a hydro systems representative for more information.