



TUB INCLUDES:

- Integral waste and overflow



Standard Grab Bar



Linear Integral Waste and Overflow



Chromotherapy-LED Lighting System

OPTIONS: ([MORE INFORMATION AVAILABLE ON OUR WEBSITE](#))

- Chromotherapy-LED Lighting System
- Extra High Density
- Grab Bars
 - Standard or Universal
- Hydro Blanket
- Hydro Coat
- Hydro Express Quick Ship
- Island Tub Drain
- Integral Waste and Overflow
 - Linear
- Molded Armrests
- Padded Headrest Pillow
- Thermal Air System
- Remote Control for Air System

STANDARD ELECTRICAL REQUIREMENTS:

- Thermal Air System | One 15 Amp Dedicated Circuit

All electrical components come standard at 115 volts

All electrical circuits must be GFCI protected



As SHOWN:

Acrylic Tub

FEATBRES SHOWN:

- Drain Location

ALSO AVAILABLE:

- Soaking tub only
- Thermal Air

SIZE:

70.40.24

WATER CAPACITY:

110 Gallons

WEIGHT:

150 lbs. Tub Only

180 lbs. Thermal Air

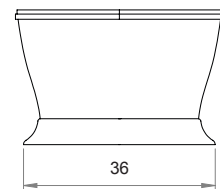
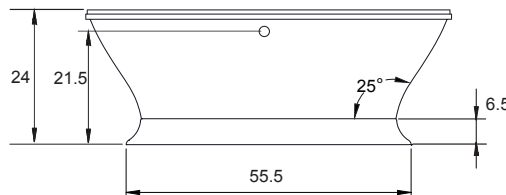
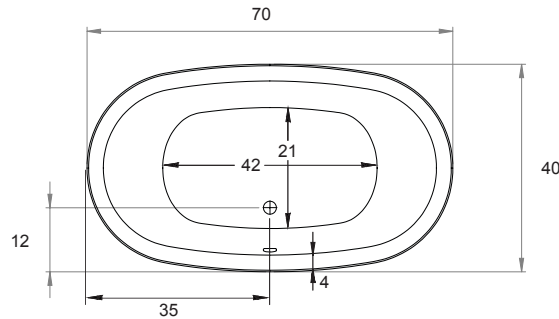
MODEL 7040 DIMENSIONS:

- (L)ength- 70"
- (W)idth- 40"
- (H)eight Finish- 24"



ACRYLIC TUB

- Acrylic models finished in 1/8" thick layer of deep lustrous acrylic
- Extra thick reinforced fiberglass
- Integral E-Z level platform facilitates installation
- Integral waste and overflow



CODES AND COMPLIANCES

Massachusetts code File no: P1-0614-491

