

DESIGNER COLLECTION

VICTORIA

7348

SIZE

73" L x 48"W x 24"D

WATER CAPACITY

105 Gallons

WEIGHT

140-190 Pounds

INSTALLATION

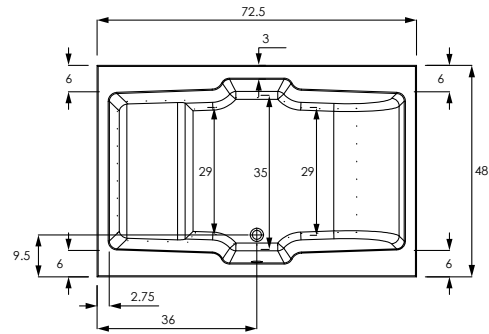
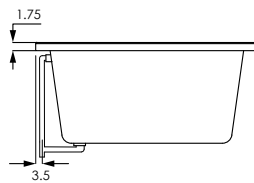
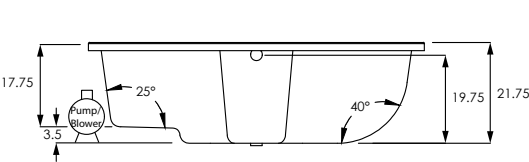
Drop-in

BACK SLOPE

25° & 40°

MATERIAL

Acrylic



MODEL	
VIC7348ATO	Tub Only
VIC7348AWP	Whirlpool (8)
VIC7348ATA	Thermal Air
VIC7348ACO	Combo System
COLORS	
Standard	White Biscuit Bone
Premium Colors	Black Sterling Silver
FINISH	
Matte Finish	MAT (must specify if desired)
Polished Finish	STANDARD
BACK MASSEUSE SYSTEMS	
System I - Manual Control (WP/CO)	BAC.MA1-XXX
System II - Electronic Control (WP/CO)	BAC.MA2-XXX
System III - Electronic Control (TA)	BAC.MA3-XXX
COLD PLUNGE order form	
	CLD.PL
EXPORT CRATE	
	FRT.EXPCRT
EXTRA HIGH DENSITY	
	HI.DEN
GRAB BARS (Pair) Refer to price book for all available finishes	
Standard Grab Bars	GRA.BAR-XXX
Universal Grab Bars	UGB.BAR-XXX

MODEL	
HEATED BACKREST	INCLUDED ON THERMAL AIR
HYDRO BLANKET 2 Zones 3 Zones 4 Zones 5 Zones (W/ 2 Controls)	BLA.HEA-X
HYDRO COAT	HYC.COA
HYDRO EXPRESS	69.104-HYD.EXP
HYDRO FILL (must specify location)	HYD.FIL
HYDRO FUSION	
Hydro Fusion (Tub Only)	29.102
Hydro Fusion w/ Ozone (Tub Only)	29.103
Hydro Fusion (TA, Whirlpool, Combo)	29.107
HYDRO INDULGE	HYD.IND
HYDRO OZONE UV COMBO SYSTEM	OZUV.XXX
Whirlpool and Combo Systems only	110 V OZUV.110
INLINE HEATER Whirlpool and Combo Systems only	
No dedicated GFI required for 6 amp models	
12.50 Amps 1.5 KW - 110V	27.100
6.00 Amps 0.75 KW	27.103



Headquarters
29132 Avenue Paine
Valencia, CA 91355

Manufacturing Facility
385 Highway 155 South
McDonough, GA 30253

Technical Support
support@hydrosystem.com

Orders Department
orders@hydrosystem.com

General Information
info@hydrosystem.com

Phone: 661-775-0686

Website: hydrosystem.com

CODES AND COMPLIANCES

Massachusetts code File no: P1-0614-491



All specifications and options subject to change without notice please contact a hydro systems representative for more information.

VICTORIA

7348

DESCRIPTION

JETS
Installed per jet price for extra jets added to standard system price. All metallic finishes come with colored eyeball.

Additional Standard or Swirling Jet JET.STD-XX | JET.SWI-XX
Color Trim
Group 1 - PC or PB
Group 2 - AB, BB, SB, BC, SC, PN, SN, BN
Group 3 - PG, BG, SG

Swirling Jet Upgrade JUP.SWI-XX
(Per jet substitution price added to standard system price)

Micro Therapy Jet MTJ.XXX
BIS, BLA, BON, SIL, WHI

Custom Jet Locations 69.116-CUS.JET
(Must include drawing of locations)

JET PLATING
Clear / Brass / Chrome. Trim kit covers jet escutcheons, suction, and electronic softtouch pad. Per jet substitution price added to standard system price. All metallic finishes come with colored eyeball.

Group 1 (PC or PB)
8 Jets PLA.08-XX
10 Jets PLA.10-XX

Group 2 (AB, BB, SB, BC, SC, PN, SN, BN)
8 Jets PLA.08-XX
10 Jets PLA.10-XX

Group 2 (PG, BG)
8 Jets PLA.08-XX
10 Jets PLA.10-XX

LED TEMP. READOUT KEYPAD LED.UPG
Upgrade only, must have a keypad controlled system to purchase.

LIGHTING LIG.LED
LED Bath Light Chromotherapy System

LOW WATER PROTECTION LOW.WAT-110
Includes 30 minute timer (110V)

MICROMOUNT 69.140MCREDG
Micromount requires increase in framing height by approximately 1¼"

MOLDED ARMRESTS ARM.MOL-2
Some molded armrests add an interior detail line to the bathtub 2 Armrests (one pair) ARM.MOL-4
4 Armrests (two pairs)

NECK MASSEUSE JET PILLOW PIL.NEC-XX
Available in black, bone and white.

DESCRIPTION

PADDED HEADREST PILLOW 41.128
Black only

PUMPS 69.116-CUS.PMP
Custom Pump Locations

REMOTE CONTROL REM.CON
Must must have system to purchase

Tile Flanges FLA.MO-X

Undermount UNDRMT

WASTE & OVERFLOW WOV.XX
Cable W/O No Charge
(WHI, BIS, PC, PB, PN, BC, BB, BN, SC, SB, SN, ORB, PE)

Cable W/O - Gold Finish Upgrade (PG, BG)

INTEGRAL W/O (Std. round) IWO.XX
Waste and overflow manufactured as part of the bath. Comes standard as a round overflow cover. Drain will be a tip-toe style and drain outlet will be a direct drain.

LINEAR INTEGRAL W/O LWO-XXX
Waste and overflow manufactured as part of the bath. Drain will be a tip-toe style and drain outlet will be a direct drain.



Headquarters
29132 Avenue Paine
Valencia, CA 91355

Manufacturing Facility
385 Highway 155 South
McDonough, GA 30253

Technical Support
support@hydrosystem.com

Orders Department
orders@hydrosystem.com

General Information
info@hydrosystem.com
Phone: 661-775-0686
Website: hydrosystem.com

CODES AND COMPLIANCES

Massachusetts code File no: P1-0614-491



All specifications and options subject to change without notice please contact a hydro systems representative for more information.

VICTORIA

7348



STANDARD ACRYLIC COLORS



WHITE BISCUIT BONE

PREMIUM ACRYLIC COLORS



BLACK STERLING SILVER

WELLNESS OPTIONS



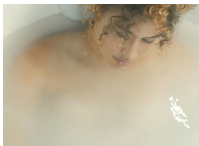
Cold Plunge

Revitalizing cold hydrotherapy into a traditional tub



Thermal Air

Tiny bubbles into the bathwater and offers untold relaxing benefits, similar to Swedish massage



Hydro Indulge

A concentrated dose of oxygen-rich molecules cleanse and restore skin



Whirlpool Massaging Jets

Flexibility to customize jet location, quantity of jets and type of jet therapy



Back and Neck Masseuse

Utilizes six strategically located jets enabling a "shiatsu" type massage and direct to the neck with 3 pulse settings



Advanced UV system

Ozone and UV light helps to disinfect the water and keep it clean



Chromatherapy

Digitally controlled, multicolored lighting feature LED lighting system



Hydro Fusion

Totally silent operation maintains ideal temperature without adding hot water constantly



Hydro Blanket

Radiant heat emanates through the acrylic tub surface. Choose up to 2-5 panels..

Drop-In Cutout Install Dimensions:

- (L)ength - 71"
- (w)idth - 46"
- Finished Height - 21"

3-Wall Install Dimensions:

- (L)ength - 73"
- (w)idth - 48"
- Top of Ledger - 22½"

OTHER OPTIONS

Additional options can be found on our website



Integral Waste and Overflow

Seamless built-in protection for bathtub (included)



Grab Bars

Adds functionality and enhanced styling. Affords a mounting solution in virtually any position on any tub.



Micromount

Reduces the standard edge profile of the tub to a nominal ½" for a sleek, modern look



Integral Tile Flange

Available on select non-oval tubs. Please specify which sides flange will need to be added to.

Installation Tips:

- When adding integral linear drain p-trap location is now below waste
- Adding multiple systems/options may require equipment to stick out from tub deck or be installed remotely



HYDRO SYSTEMS



Headquarters

29132 Avenue Paine
Valencia, CA 91355

Manufacturing Facility

385 Highway 155 South
McDonough, GA 30253

Technical Support

support@hydrosystem.com

Orders Department

orders@hydrosystem.com

General Information

info@hydrosystem.com

Phone: 661-775-0686

Website: hydrosystem.com

CODES AND COMPLIANCES

Massachusetts code File no: P1-0614-491



All specifications and options subject to change without notice please contact a hydro systems representative for more information.