

# HS 3636 Shower

Hydro Systems, Inc.  
 29132 Avenue Paine, Valencia CA  
 Phone: (661)775-0686 - Fax: (661)775-0668  
 www.hydrossystem.com • email:sales@hydrossystem.com



## Features:

- Overall Dimensions installed:  
36" W x 36" D x 77" H
- Fire retardant Gel-coat finish
- Wall meet Class I and Class A ratings per  
ASTM E-84 Flame spread and smoke density  
requirements for both inside and outside surfaces
- Galvanized steel reinforcing stiffeners
- Extra reinforcing in all critical areas
- Slip resistant floor
- 18" Satin finish stainless steel grab bar  
horizontally mounted
- 24" Satin finish stainless steel grab bar vertically  
mounted
- 30" Satin finish stainless steel curtain rod installed
- Drain is brass body, self-caulking with stainless  
steel strainer
- Unit is packaged with cardboard on forklift pallet  
Full LTL wooden shipping crate available as option

## Suggested Mechanical Specifications:

Hydro Systems HS 3636 (4" dam) shower with 5 year limited warranty, 36" Wide x 36" Deep x 77" High with 1" O.D. satin finish stainless steel curtain rod, 24" long satin finish stainless steel grab bar on wet wall, 18" long satin finish stainless grab bar on rear wall, two built-in soap shelves in rear corners, center drain with center sloping integrally molded slip-resistant floor. Units shall be molded of gel-coated fiberglass reinforced polyester resin. Unit shall meet or exceed physical and performance requirement for Type 2 gel-coated fixtures (of ANSI Z124.2 showers). Standing/walking surfaces shall meet slip-resistance requirements of Consumer Safety Specification ASTM F-462, with static friction coefficient no less than 0.04. Handicapped grab bars shall be nom. 1½" O.D. and support a minimum load of 250 lbs. in accordance with the Consumer Safety Specification ASTM F-446 and ANSI A117.1 guidelines. Units shall have a flame spread rating of 25 or less (ASTM E-84, E-162); smoke density rating of 450 or less per (ASTM E-84); equal to Class A, NFPA, and Class 1, United Building Code. Units shall bear or have affixed to them a molded manufacturer's identification logo and/or permanent label showing manufacturer's name and model number and the seal of the Uniform Plumbing Code and shall be accompanied by detailed installation recommendations. Also affixed and for removal by the owner /occupant/user only, unit shall be equipped with user maintenance instructions and the full text of the limited warranty. As manufactured by Hydro Systems, Inc. - Valencia, California.

## Warranty

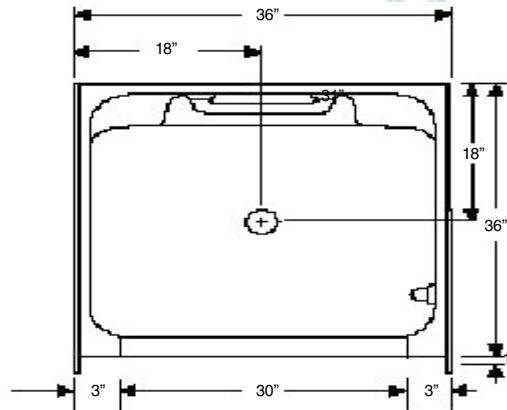
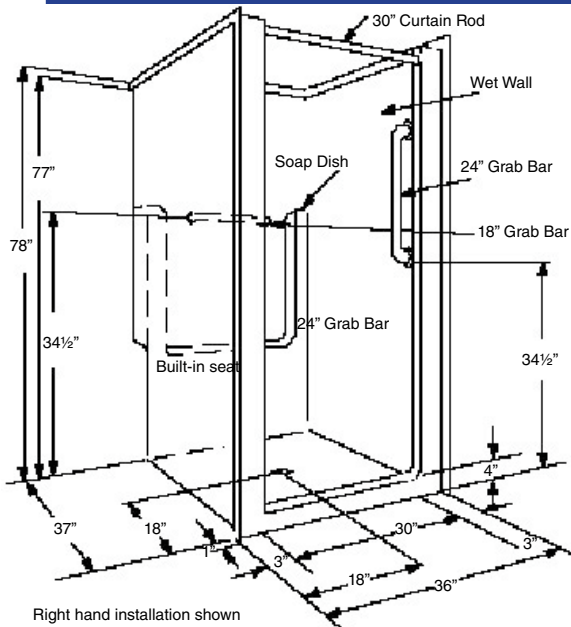
Hydro Systems, Inc. products are backed by our exclusive 5 year limited warranty. (see warranty for complete details)

All specifications subject to change without notice.

## Approvals

- IAPMO/UPC - Uniform Plumbing Code - File 3307
- ANSI Z124.2 - Standard for Plastic Shower Units
- ANSI A117.1 - Accessibility and Grab Bar Guidelines
- ASTM E-84 - Flame Spread and Smoke Density

- ASTM F-446 - Grab Bars and Accessories Installed in the Bathing Area
- ASTM F-462 - Specification for Slip-Resistant Bathing Facilities



Galvanized steel reinforced and/or wood reinforcement will vary due to application of accessories

