

HS 6032 BF Roll-In Shower

Hydro Systems, Inc.
 29132 AvenuePaine, Valencia CA
 Phone: (661)775-0686 - Fax: (661)775-0668
 www.hydrossystem.com • email:sales@hydrossystem.com



Features:

Overall Dimensions installed:
 60" W x 32" D x 74" H

Note: the bottom of the shower must be 2" below the finished floor for the threshold to be level with the finished floor.

Gel-coat finish

Flame spread rating of 200 or less and a smoke density rating of 450 or less per ASTM E84

Galvanized steel reinforcing stiffeners

Extra reinforcing in all critical areas

Slip resistant floor

21" x 42" Satin finish stainless steel grab bar vertically mounted, 1½" diameter

Choice of Naugahyde over foam rubber or a hard phenolic folding wheelchair transfer seat factory installed

60" Satin finish stainless steel curtain rod installed

Drain is chrome-plated brass and included with shower strainer. Strainer has ¼" minimum grate openings and is flush with the floor surface.

Unit is packaged with cardboard on forklift pallet
 Full LTL wooden shipping crate available as option

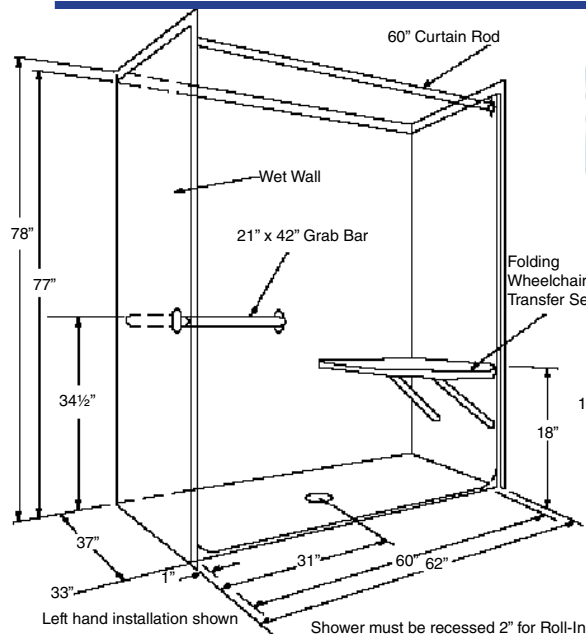
Suggested Mechanical Specifications

Hydro Systems HS 6032 BF shower with 5 year limited warranty, 60" Wide x 32" Deep x 77" High with folding wheelchair transfer seat conforming to ADA accessibility standards, 1" O.D. satin finish stainless steel curtain rod, 21" x 42" satin finish stainless steel grab bar, center sloping integrally molded slip-resistant floor. Units shall be molded of gel-coated fiberglass polyester resin. Units shall meet or exceed physical and performance requirement for Type 2 gel-coated fixtures (of ANSI Z124.2 showers). Standing/walking surfaces shall meet slip-resistance requirements of Consumer Safety Specification ASTM F-462, with static friction coefficient no less than 0.04. Handicapped grab bars shall be nom. 1½" O.D. and support a minimum load of 250 lbs. in accordance with the Consumer Safety Specification ASTM F-446 and ANSI A117.1 guidelines. Units shall have a flame spread rating of 200 or less and a smoke density rating of 450 or less per (ASTM E-84). Units shall bear or have affixed to them a molded manufacturer's identification logo/or permanent label showing manufacturer's name and model number and the seal of the Uniform Plumbing Code and shall be accompanied by detailed installation recommendations. Also affixed and for removal by the owner/occupant user only, unit shall be equipped with user maintenance instructions and the full text of the limited warranty. As manufactured by Hydro Systems, Inc. - Valencia, California.

Warranty

Hydro Systems, Inc. products are backed by our exclusive 5 year limited warranty. (see warranty for complete details)

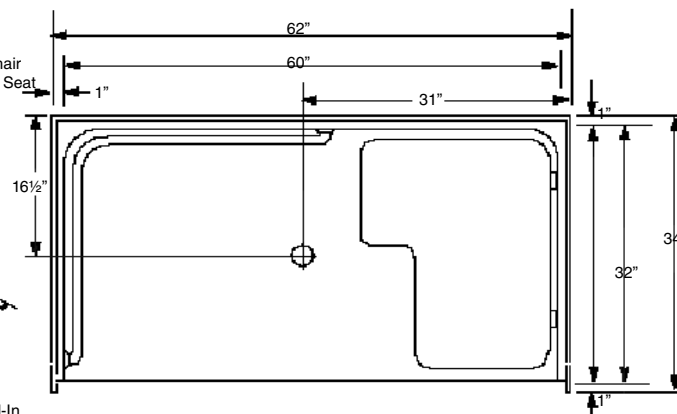
All specifications subject to change without notice.



Approvals

ANSI Z124.2 - Standard for Plastic Shower Units
 ANSI-A117.1 - Standard for Building and Facilities Providing Accessibility and Usability for Physically Handicapped People

ASTM F-446 - Grab Bars and Accessories Installed in the Bathing Area
 ASTM F-462 - Specification for Slip-Resistant Bathing Facilities



Galvanized steel reinforced and/or wood reinforcement will vary due to application of accessories

