

HT 6032 Tub/Shower Tiled

Hydro Systems, Inc.
 29132 Avenue Paine, Valencia CA
 Phone: (661)775-0686 - Fax: (661)775-0668
 www.hydrossystem.com • email:sales@hydrossystem.com



Features:

- Overall Dimensions installed:
60" W x 32" D x 74" H
- Fire retardant Gel-coat finish
- Wall meet Class I and Class A ratings per ASTM E-84 Flame spread and smoke density requirements for both inside and outside surfaces
- Galvanized steel reinforcing stiffeners
- Extra reinforcing in all critical areas
- Slip resistant floor
- Two built-in soap shelves
- Two 24" Satin finish stainless steel grab bar horizontally mounted
- Two 36" Satin finish stainless steel grab bars horizontally mounted
- 60" Satin finish stainless steel curtain rod installed
- Unit is packaged with cardboard on forklift pallet
- Full LTL wooden shipping crate available as option

Shown in a 4x4 Tile Pattern

Suggested Mechanical Specifications

Hydro Systems HS 6032 tub/shower with 5 year limited warranty, 60" Wide x 32" Deep x 74" High with 1" O.D. satin finish stainless steel curtain rod, two unitized 36" satin finish stainless steel grab bars on rear wall, 24" satin finish stainless steel grab bars on side wall, 24" satin finish stainless steel grab bar on wet wall, two built-in soap shelves, center side drain with side sloping integrally molded slip-resistant floor. Units shall be molded of gel-coated fiberglass reinforced polyester resin. Units shall meet or exceed physical and performance requirement for Type 2 gel-coated fixtures (of ANSI Z124.1 showers). Standing/walking surfaces shall meet slip-resistance requirements of Consumer Safety Specification ASTM F-462, with static friction coefficient no less than 0.04. Handicapped grab bars shall be nom. 1½" O.D. and support a minimum load of 250 lbs. in accordance with the Consumer Safety Specification ASTM F-446 and ANSI A117.1 guidelines. Units shall have a flame spread rating of 25 or less (ASTM E-84, E-162); smoke density rating of 450 or less per (ASTM E-84) equal to Class A, NFPA, and Class 1, United Building Code.. Units shall bear or have affixed to them a molded manufacturer's identification logo/or permanent label showing manufacturer's name and model number and the seal of the Uniform Plumbing Code and shall be accompanied by detailed installation recommendations. Also affixed and for removal by the owner /occupant/user only, unit shall be equipped with user maintenance instructions and the full text of the limited warranty. As manufactured by Hydro Systems, Inc. - Valencia, California.

Warranty

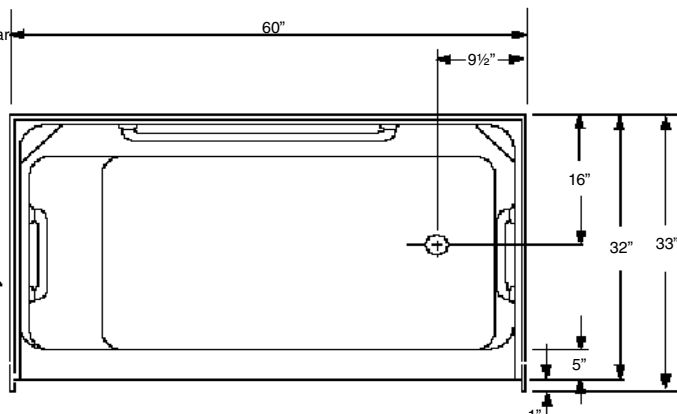
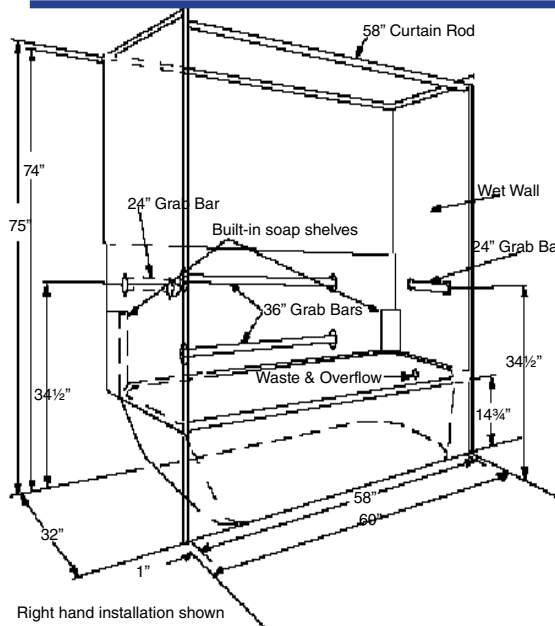
Hydro Systems, Inc. products are backed by our exclusive 5 year limited warranty. (see warranty for complete details)

All specifications subject to change without notice.

Approvals

- IAPMO/UPC - Uniform Plumbing Code - File 3307
- ANSI Z124.2 - Standard for Plastic Shower Units
- ANSI A117.1 - Accessibility and Grab Bar Guidelines
- ASTM E-84 - Flame Spread and Smoke Density

- ASTM F-446 - Grab Bars and Accessories Installed in the Bathing Area
- ASTM F-462 - Specification for Slip-Resistant Bathing Facilities



Galvanized steel reinforced and/or wood reinforcement will vary due to application of accessories

