

# GATEWAY

## METRO COLLECTION

# H | S

### AVAILABLE SIZES

- 70.32.20

### WATER CAPACITY

- 95 Gallons

### WEIGHT

- 285 Pounds

### BACK SLOPE

- 56°

### MATERIAL

- Hydroluxe SS™

### STANDARD COLORS

- White, Almond, Biscuit

### PREMIUM COLORS

- Black, Carmine Red, Concrete Grey, Distant Blue, Grey Beige, Moss Green, Orange Brown, Pastel Violet, Purple Violet, Red Orange, Sapphire Blue, Signal Orange, Tarpaulin Grey, Terra Brown

### FINISH

- Matte, Polished, Two-Tone

### WARRANTY

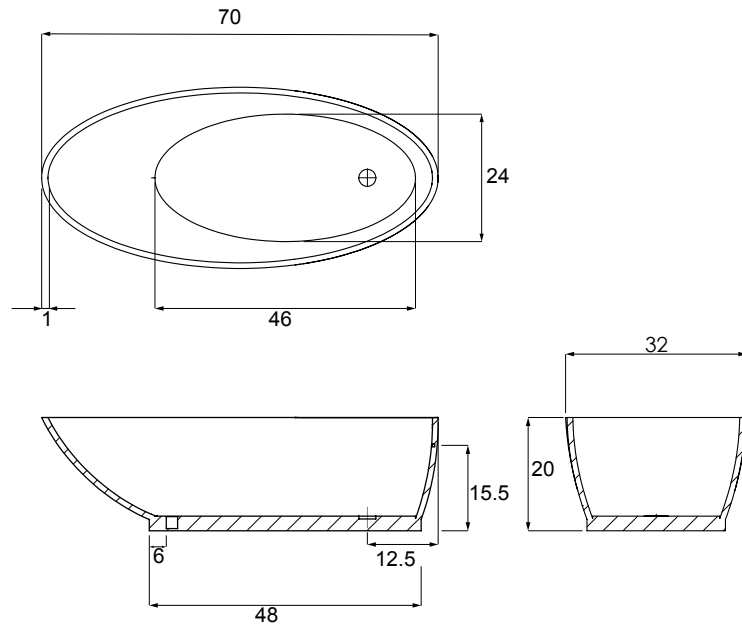
- 10 years



### OPTIONS (more information available on our website)

- Air System
  - Blower and Control Panel Must be Remotely Located
  - Electrical Requirements (1) 15 AMP dedicated GF - 115 Volts
  - Remote Control Included to Operate Air System
- Cold Plunge
- Hydro Coat
- Hydro Fusion
- Hydro Indulge
- Island Tub Drain
- Tower

### INSTALLATION VIDEOS AVAILABLE ON WEBSITE



### CODES AND COMPLIANCES

Massachusetts code File no: P1-0614-491



**HYDRO SYSTEMS**  
Family Owned And Operated Since 1978

29132 Avenue Paine, Valencia, CA, 91355  
661.775.0686 | hydrosystem.com



MADE IN AMERICA

All specifications and options subject to change without notice please contact a hydro systems representative for more information.