

# BREANNE

STUDIO COLLECTION

H | S

## As SHOWN:

Tub only

## FEATURES SHOWN:

- Exterior
- \* Linear Integral Drain (standard)
- Polished Chrome Drain
- Adjustable Legs
- Built in Faucet Deck

## ALSO AVAILABLE:

- Thermal Air

## SIZE:

60.36.26

## WATER CAPACITY:

60 Gallons

## WEIGHT:

170 pounds

## TECHNICAL REQUIREMENTS FOR SYSTEMS:

- Requires 15 Amp Dedicated GFCI



The Breanne is the pinnacle of elegance with its delicate curves and its reflection of an antique freestanding bathtub. This acrylic freestanding bathtub will transform a typical bathing experience into a spa-like soaking occurrence. Visit <http://www.hydrosystem.com> for more details on our options and accessories.

## OPTIONS:

- Access Panel (allows for easier installation of roman tub filler)
- Hydro Coat
- HydrOzone
- Island Tub Drain
- Thermal Air System

## CODES AND COMPLIANCES

Massachusetts code File no: P1-0614-491



**HYDRO SYSTEMS**  
Family Owned And Operated Since 1978

29132 Avenue Paine, Valencia, CA, 91355  
661.775.0686 | [hydrosystem.com](http://hydrosystem.com)



\* Indicates options that are shown (listed in order from top to bottom/ left to right)

# BREANNE

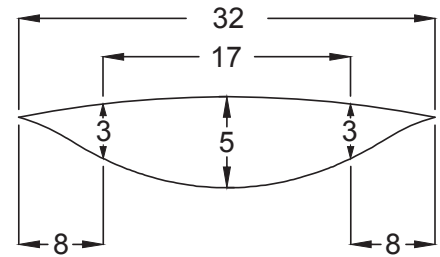
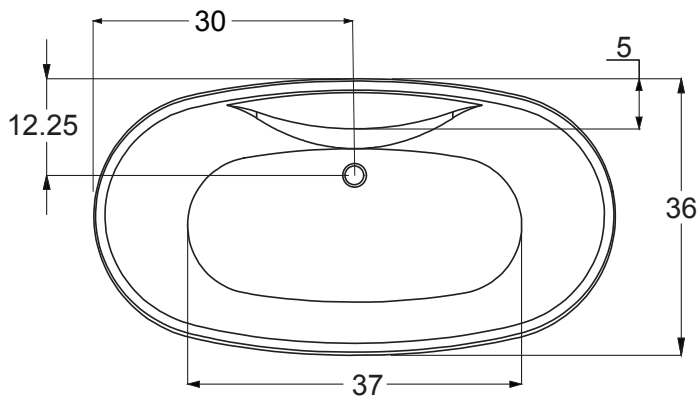
STUDIO COLLECTION

# H | S



### ACRYLIC TUB

- Acrylic models finished in 1/8" thick layer of deep lustrous acrylic
- Extra thick reinforced fiberglass



Faucet deck

