

INNOVATION that *works...*

Island Tub Drain is Patented in Canada and the United States of America.

OS&B is a Registered Trademark of Oakville Stamping and Bending Limited (OS&B®).

OSBITD-0317



Oakville Stamping & Bending Ltd.
T: 1.905.827.0320 1.877.314.6040 F: 1.905.827.6375 1.877.827.6040
www.osb.ca (Canada) www.osbplumbing.com (USA)

Island Tub Drain™ (Testable Rough-in)

Install a Freestanding Bath Tub in minutes.
*Now featuring a snap-off Test Cap and an
Asymmetrical Deck Plate designed not to interfere
with a freestanding faucet rough-in!*

No muss. No fuss. And now easier to install. No kidding.

Your job just got easier.



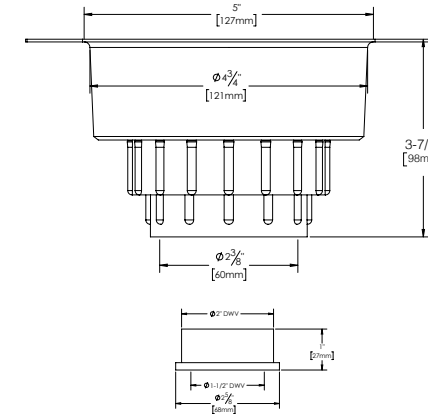
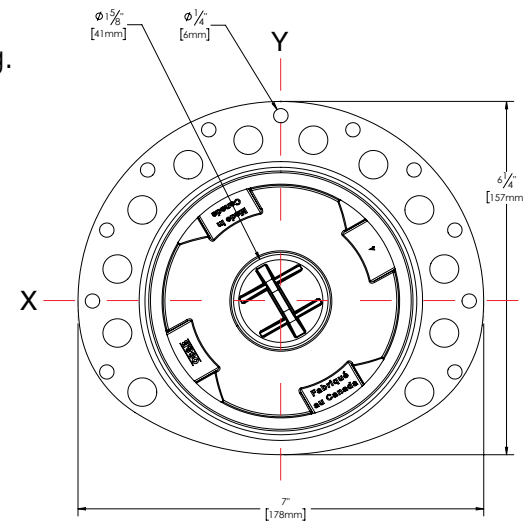
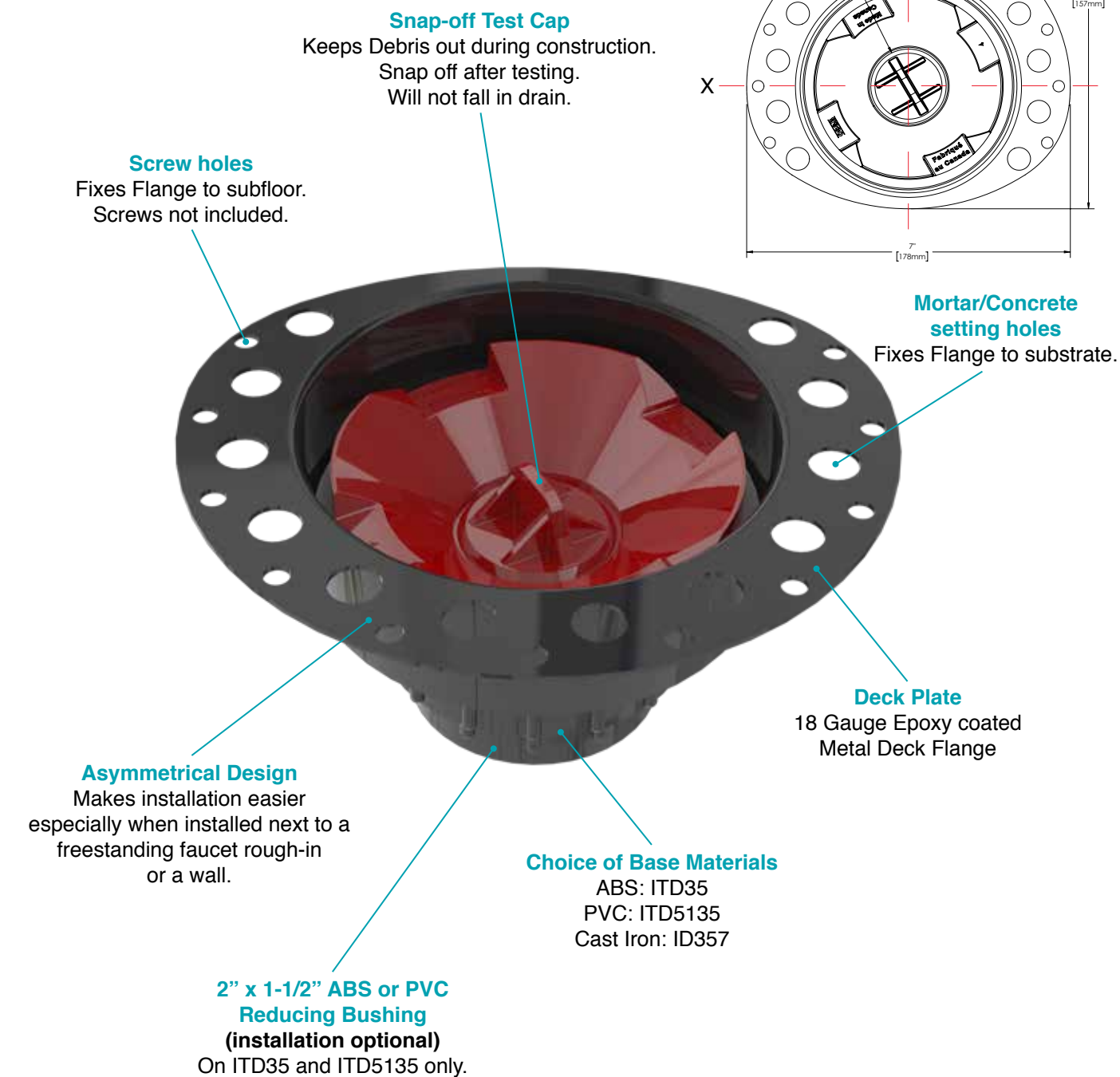
www.osb.ca (Canada)
www.osbplumbing.com (USA)

Updated design makes Installation of a freestanding bath tub even easier...

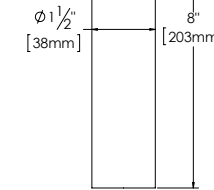
Now featuring a snap-off Test Cap and an Asymmetrical Deck Plate designed not to interfere with a freestanding faucet rough-in!

No muss. No fuss. And now even easier to install. No kidding.

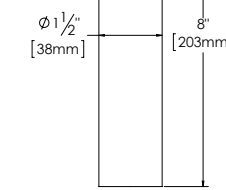
Your job just got easier.



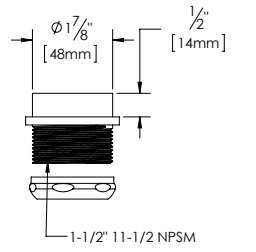
Fine Thread Tailpiece
Attaches to 314 Series Direct/Offset Bath Wastes and Integral Bath Wastes.



Flanged Tailpiece
Attaches to 314DC Series Cable-Drive® Bath Wastes and Integral Bath Wastes.



ABS or PVC Adapter Kit
Attaches to ABS or PVC Bath Wastes and includes Brass Nut and Poly Washer.



Features/Benefits

- Newly redesigned Asymmetrical 18 Gauge Epoxy coated Metal Deck Flange - makes installation in tight spaces easier
- Built-in Snap-off Test Cap - allows for water/air/smoke testing
- ITD35 is a Freestanding Tub rough-in (install before tile installation) - access below fixture not required
- Low profile design - allows for installation in 8" joist space or greater

Includes

- 2 Brass Tailpieces (Fine Thread and Flanged)
- ABS or PVC Adapter Kit (ITD35/ITD5135 only). Attaches to ABS or PVC Bath Wastes)
- Island Drain assembly
- 2" x 1-1/2" ABS or PVC Reducing Bushing (ITD35/ITD5135 only)
- Cutting template
- Tile Guard

Installation Tips

- Use 5" hole saw to cut sub floor (not included). Cutting template included
- Secure Deck Flange with 6 screws (not included)
- Do not cut the brass Tailpiece as this may cause a leak

OS&B ITEM	DESCRIPTION	BARCODE 7 75439	CTN QTY
ITD35	ABS ISLAND TUB DRAIN	06452 6	1
ITD5135	PVC ISLAND TUB DRAIN	06455 7	1
ID357	CAST IRON ISLAND TUB DRAIN	06462 5	1

Certification

