

# EVELINE 6632

# H|S

STUDIO COLLECTION

**As SHOWN:**

Tub only

**FEATURES SHOWN:**

- \* Linear Integral Drain (standard)
- Polished Chrome Drain
- Adjustable Legs
- Built in Faucet Deck

**ALSO AVAILABLE:**

- Thermal Air

**SIZE:**

66.32.24

**WATER CAPACITY:**

70 Gallons

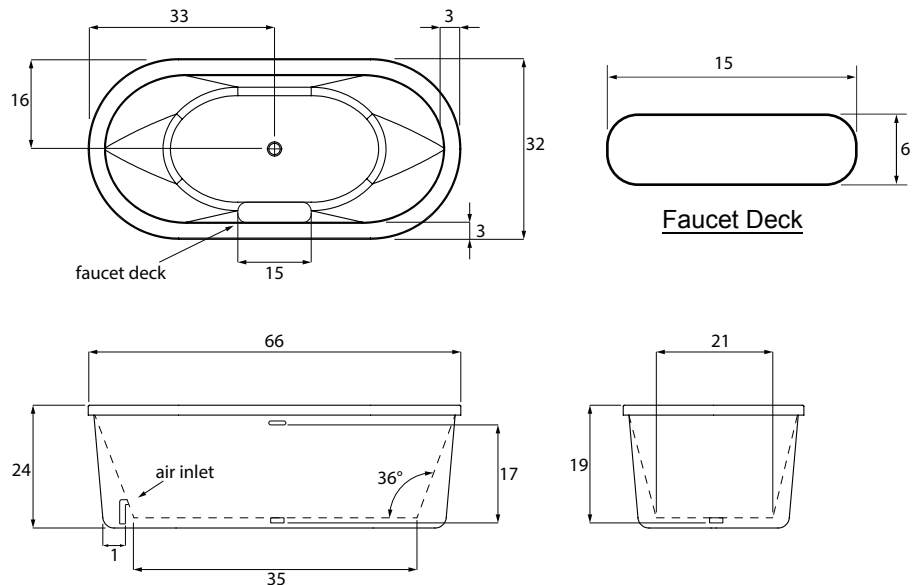
**WEIGHT:**

170 pounds



**OPTIONS:**

- Thermal Air
  - - 1 -15 AMP dedicated GFCI
  - - Blower must be remotely located
- Hydro Coat
- HydrOzone
- Island Tub Drain



**CODES AND COMPLIANCES**

Massachusetts code File no: P1-0614-491



**HYDRO SYSTEMS**  
Family Owned And Operated Since 1978

29132 Avenue Paine, Valencia, CA, 91355  
661.775.0686 | hydrosystem.com



All specifications and options subject to change without notice please contact a Hydro Systems representative for more information. Certain options or altering the pump/blower location may cause the pump/blower to extend beyond the tub decking. For cutout dimensions wait for unit to arrive. All specifications subject to change without notice.