

# CORAZON 6645

# H | S

## STON COLLECTION

### PVC SYSTEMS INCLUDE:

- 6 Fully directional adjustable flow PVC jets
- Anti-vortex safety suction
- Color matched system trim
- HydroOzone ozone sanitation system
- Rigid PVC piping
- Self draining pump and system
- Soft Touch electronic on/off control with 30-minute integral times
- 2.25 HP single speed pump
- Cable waste and overflow



Standard Grab Bar



Linear Integral Waste and Overflow



Chromatherapy-LED Lighting System

### OPTIONS: [\(MORE INFORMATION AVAILABLE ON OUR WEBSITE\)](#)

- Additional Jets
  - Directional or Swirling
- Back Masseuse Systems
- Chromatherapy-LED Lighting System
- Custom Jet and Pump Location
- Electronic Low Water Protection
- Grab Bars
  - Standard or Universal
- Hydro Coat
- Hydro Express Quick Ship
- Hydro Fusion
- Hydro Indulge
- HydrOzone UV System
- In-line Heater
- Integral Waste and Overflow
  - Round or Linear
- Jumbo Jets
  - Directional or Rotating
- Micro Mount
- Micro Therapy Jets
- Neck Masseuse Pillow
- Remote Control System

### STANDARD ELECTRICAL REQUIREMENTS:

- Whirlpool System | One 20 Amp Dedicated Circuit
- Thermal Air System | One 15 Amp Dedicated Circuit
- Combo System | One 15 Amp Dedicated Circuit and One 20 Amp Dedicated Circuit
- Indulge System | One 15 Amp Dedicated Circuit
- Hydro Fusion (600 or 1500 Watts) | One 15 Amp Dedicated Circuit
- Inline Heater (600 or 1500 Watts) | One 15 Amp Dedicated Circuit

*\*All electrical components come standard at 115 volts\**

*\*All electrical circuits must be GFCI protected\**



# CORAZON 6645

# H | S

STON COLLECTION

### As SHOWN:

Soaking tub only option

### FEATURES SHOWN:

- Overflow & drain location

### ALSO AVAILABLE:

- Whirlpool
- Thermal Air
- Combo

### WATER CAPACITY:

65 Gallons

### WEIGHT:

225-265 Pounds depending on system



\*Tub must be set in mortar base\*

### DROP-IN INSTALLATION DIMENSIONS:

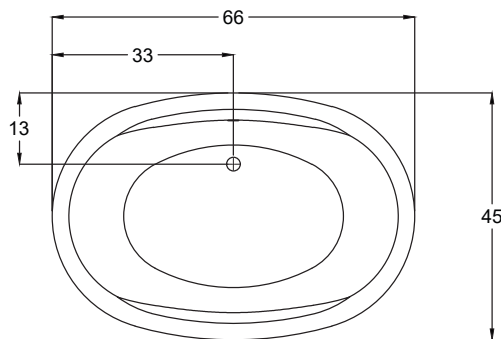
- (L)ength- 64"
- (W)idth- 43"
- (H)eight- 17-1/2"

### Hydroluxe SS Tub

- Hydroluxe SS model finished in 1-2" thick solid surface material
- Pre-wired pump on pump platform (standard pump location only)

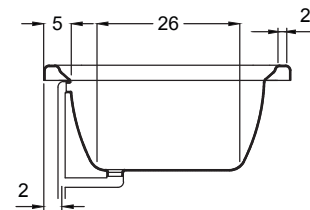
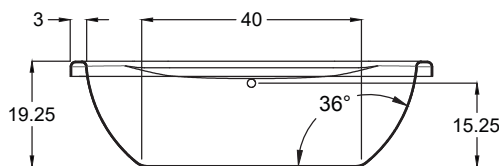
### INSTALLATION TIPS:

- When adding integral linear drain p-trap location is now below waste
- Adding multiple systems/options may require equipment to stick out from tub deck or be installed remotely



### Optional Equipment Dimensions

- Whirlpool Pump: 12" (H) x 16" (L)
- Thermal Air Blower: 5" (H) x 11" (L)
- Hydro Fusion: 7" (H) x 15.5" (L)
- Hydro Indulge: 11" (H) x 19" (L)



### CODES AND COMPLIANCES

Massachusetts code File no: P1-0614-491



**HYDRO SYSTEMS**  
Family Owned And Operated Since 1978

29132 Avenue Paine, Valencia, CA, 91355  
661.775.0686 | hydrosystem.com



Page 2 of 2

MADE IN AMERICA

All specifications and options subject to change without notice please contact a Hydro Systems representative for more information. Certain options or altering the pump/blower location may cause the pump/blower to extend beyond the tub decking. For cutout dimensions wait for unit to arrive. All specifications subject to change without notice.