

# PEARL 55 17

# H | S

## STON COLLECTION

### AVAILABLE SIZES

- 55.55.17

### WATER CAPACITY

- 95 Gallons

### WEIGHT

- 275 Pounds

### BACK SLOPE

- 16°

### MATERIAL

- Hydroluxe SS

### STANDARD COLORS

- White, Almond, Biscuit

### PREMIUM COLORS

- Black, Blue, Carbon, Gray, Espresso, Lime Green, Olive, Pink, Red, Royal Blue, Sky Blue, Violet, Yellow

### FINISH

- Matte, Polished, Two-Tone

### WARRANTY

- 10 years

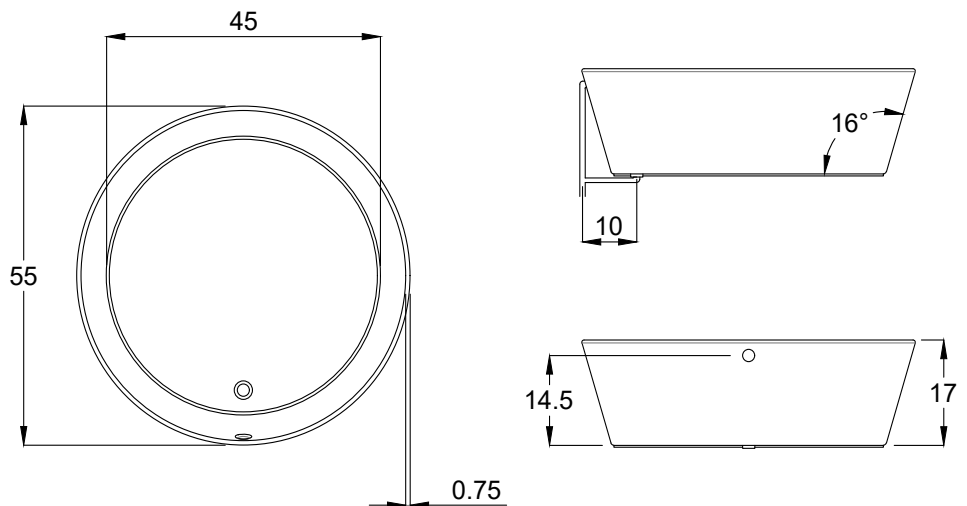


### OPTIONS (more information available on our website)

- Hydro Coat
- Padded Headrest Pillow
- Tower

### INSTALLATION VIDEO AVAILABLE ON WEBSITE:

[WWW.HYDROSYSTEM.COM/TECHNICAL-INFORMATION/VIDEOS/](http://WWW.HYDROSYSTEM.COM/TECHNICAL-INFORMATION/VIDEOS/)



### CODES AND COMPLIANCES

Massachusetts code File no: P1-0614-491



**HYDRO SYSTEMS**  
Family Owned And Operated Since 1978

29132 Avenue Paine, Valencia, CA, 91355  
661.775.0686 | [hydrosystem.com](http://hydrosystem.com)

All specifications and options subject to change without notice please contact a hydro systems representative for more information.