

# PEARL 6123

STON COLLECTION

# H | S

## AVAILABLE SIZES

- 61.61.23

## WATER CAPACITY

- 120 Gallons

## WEIGHT

- 375 Pounds

## BACK SLOPE

- 20°

## MATERIAL

- Hydroluxe SS

## STANDARD COLORS

- White, Almond, Biscuit

## PREMIUM COLORS

- Black, Blue, Carbon, Gray, Espresso, Lime Green, Olive, Pink, Red, Royal Blue, Sky Blue, Violet, Yellow

## FINISH

- Matte, Polished, Two-Tone

## WARRANTY

- 10 years

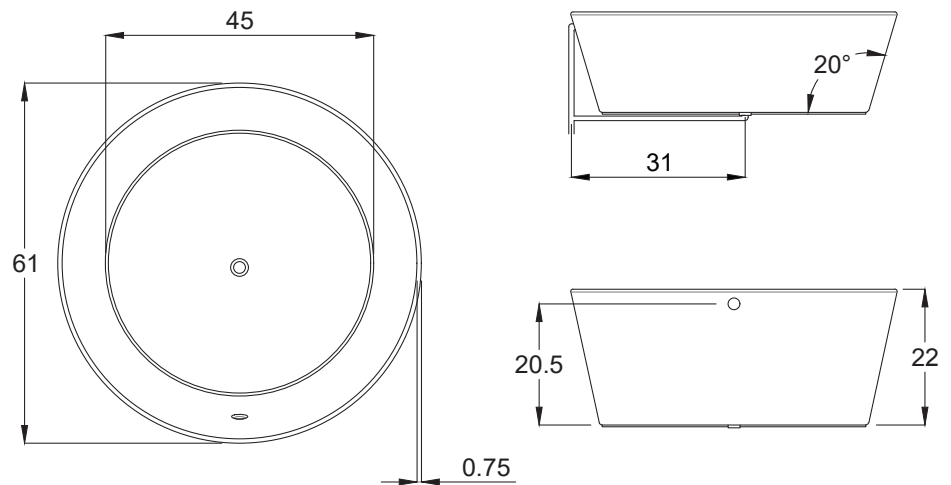


## OPTIONS (more information available on our website)

- Hydro Coat
- Padded Headrest Pillow
- Tower

## INSTALLATION VIDEO AVAILABLE ON WEBSITE:

[WWW.HYDROSYSTEM.COM/TECHNICAL-INFORMATION/VIDEOS/](http://WWW.HYDROSYSTEM.COM/TECHNICAL-INFORMATION/VIDEOS/)



## CODES AND COMPLIANCES

Massachusetts code File no: P1-0614-491



**HYDRO SYSTEMS**  
Family Owned And Operated Since 1978

29132 Avenue Paine, Valencia, CA, 91355  
661.775.0686 | [hydrosystem.com](http://hydrosystem.com)



MADE IN AMERICA

All specifications and options subject to change without notice please contact a hydro systems representative for more information.