

Hydro Blanket - Operation Manual

Control System - Keypad Operation

The Hydro Blanket control provides features that allow for customizing the bathing experience to individual preference. Users should familiarize themselves with the features and operating instructions to maximize the enjoyment received from this heating element. These operating instructions should be used in conjunction with the other instructions and warnings provided with the bathtub to fully understand and safely utilize the Hydro Blanket.

There are three (3) keypad operating modes: OFF, HEAT and MAINTAIN HEAT LEVEL.

The chart below summarizes the operating features of each mode.

When in this mode:	Press once to:	Press again to:
Off LED Off	Heat 30 minutes LED On	Maintain Heat Level 30 minutes LED Blinking

When in this mode:	Press once to:	Press again to:
Heat LED On	Maintain Heat Level 30 minutes LED Blinking	Off LED Off

When in this mode:	Press once to:	Press again to:
Maintain Heat Level 30 minutes LED Blinking	Off LED Off	Heat 30 minutes LED On

Maintain Comfortable Heat Level

The first 15 minutes of "HEAT" mode is when the heating system is warming up. The remainder of the cycle, the system will maintain the achieved heat level.

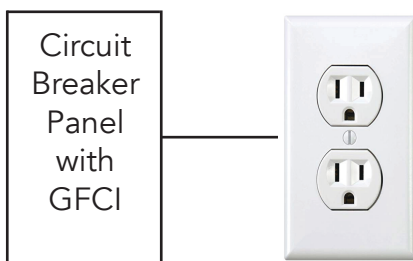
At any time during "HEAT" mode, the user feels comfortable with the heat level that has been achieved, the user can press the keypad button to enter "MAINTAIN HEAT LEVEL" mode for 30 additional minutes during which time the LED will be blinking.

Pressing the keypad button again while in "MAINTAIN HEAT LEVEL" mode will enter "OFF" mode.

If at any time, the user feels that the heat level is too warm, simply press the keypad button until the LED light is off and let the system cool down to the desired heat level. Once the system has reached the desired heat level after cooling down, press the keypad button to resume heat (LED ON) and press the keypad button immediately again to "MAINTAIN HEAT LEVEL" (LED blinking).

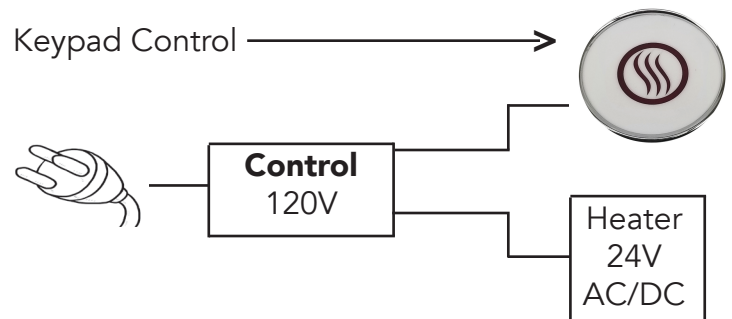
Wiring Diagram

Components not included with Hydro Blanket



Plug In

Components included with Hydro Blanket



120 Volt, GFCI circuit, minimum 5 amps per control