

# NIANTIC

## METRO COLLECTION

# H | S

### AVAILABLE SIZE

- 66.37.23

### WATER CAPACITY

- 65 Gallons

### WEIGHT

- 550 Pounds

### BACK SLOPE

- 18°

### MATERIAL

- Hydroluxe SS

### STANDARD COLORS

- Almond, White, Biscuit

### PREMIUM COLORS

- Black, Gray, Carbon, Olive, Espresso, Sky Blue, Blue, Royal Blue, Violet, Pink, Yellow, Lime Green, Red

### FINISH

- Matte, Polished, Two-Tone

### WARRANTY

- 10 years

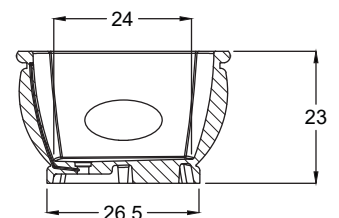
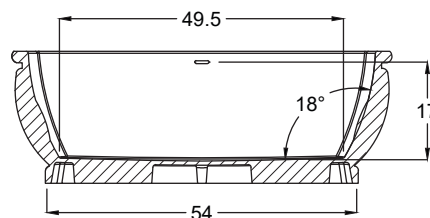
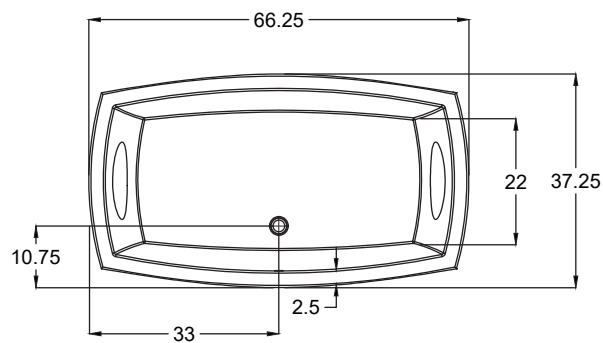


### OPTIONS (more information available on our website)

- Air System
  - Blower and Control Panel must be remotely located
  - Remote Control Included
  - Electrical Requirements 1 15 AMP dedicated GF - 110 Volt
- Hydro Coat
- Island Tub Drain
- Tower

### INSTALLATION VIDEO AVAILABLE ON WEBSITE:

[WWW.HYDROSYSTEM.COM/TECHNICAL-INFORMATION/VIDEOS/](http://WWW.HYDROSYSTEM.COM/TECHNICAL-INFORMATION/VIDEOS/)



### CODES AND COMPLIANCES

Massachusetts code File no: P1-0614-491



**HYDRO SYSTEMS**  
Family Owned And Operated Since 1978

29132 Avenue Paine, Valencia, CA, 91355  
661.775.0686 | [hydrosystem.com](http://hydrosystem.com)



MADE IN AMERICA

All specifications and options subject to change without notice please contact a hydro systems representative for more information.