

LIDO

METRO COLLECTION

H | S

SIZE

- 66.33.23

WATER CAPACITY

- 85 Gallons

WEIGHT

- 450 Pounds

BACK SLOPE

- 31°

MATERIAL

- Hydroluxe SS™

STANDARD COLORS

- White, Almond, Biscuit

PREMIUM COLORS

- Black, Carmine Red, Concrete Grey, Distant Blue, Grey Beige, Moss Green, Orange Brown, Pastel Violet, Purple Violet, Red Orange, Sapphire Blue, Signal Orange, Tarpaulin Grey, Terra Brown

FINISH

- Matte, Polished, Two-Tone

WARRANTY

- 10 years

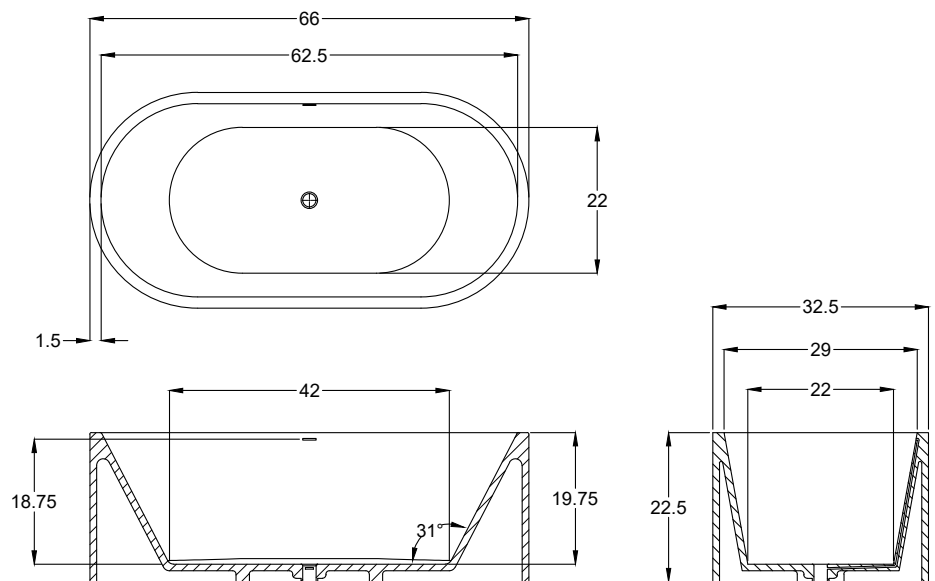


OPTIONS (more information available on our website)

- Air System
 - Blower and Control Panel Must be Remotely Located
 - Electrical Requirements (1) 15 AMP dedicated GF - 115 Volts
- Cold Plunge
- Hydro Coat
- Hydro Fusion
- Hydro Indulge
- Island Tub Drain
- Tower



INSTALLATION VIDEOS AVAILABLE ON WEBSITE



CODES AND COMPLIANCES

Massachusetts code File no: P1-0614-491



HYDRO SYSTEMS
Family Owned And Operated Since 1978

29132 Avenue Paine, Valencia, CA, 91355
661.775.0686 | hydrosystem.com



MADE IN AMERICA

All specifications and options subject to change without notice please contact a hydro systems representative for more information.