

Access hole for pump and control box

Access hole here if control box is placed here depending on the options

Access holes opening is about 10" x 13" give or take

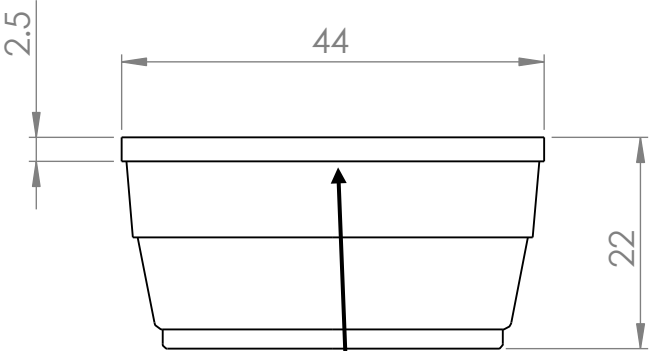
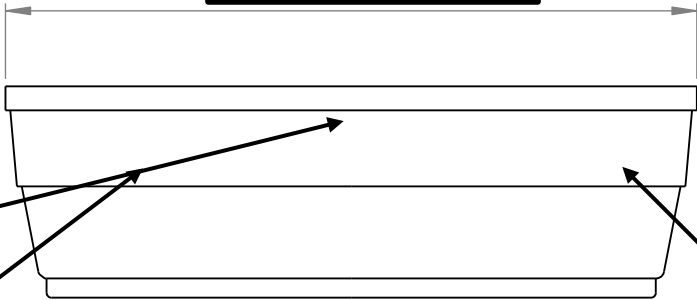
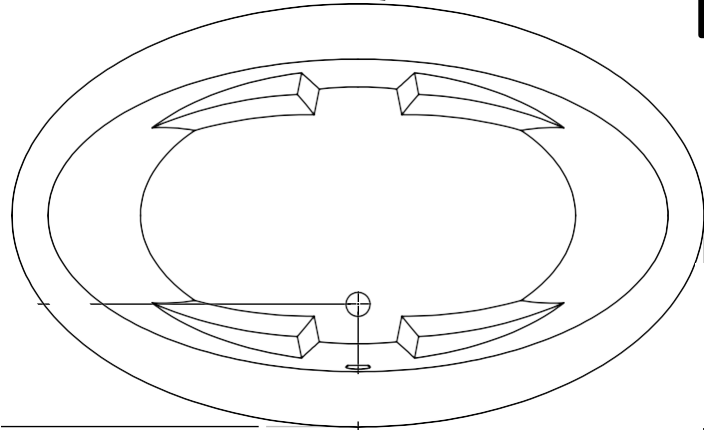
Access hole if ordered with thermal air blower would be position here

Access panel here for overflow

Screw on each long side of the tub

Half of the skirt drops by remove the screws around the bottom lip of the tub they are 4 screws that hold the skirt up in place from underneath the lip deck center of tub and each end of the tub once the screws are removed the skirt drops you will have four access points as showed above

Screw on each end of the tub



HYDRO SYSTEMS, INC.

29132 Avenue Paine, Valencia, CA 91355
661.775.0686, fax 661.775.0668, www.hydrosystem.com

Note: The information contained on this drawing is the sole property of Hydro Systems, Inc. Any reproduction in part or as a whole without the written permission of Hydro Systems, Inc. is prohibited.

Title:	NINA	
Date:	24 December 2015	Rev:
Scale:	None	Date:
Material: Acrylic and Fiberglass, 1/4" nominal thickness		